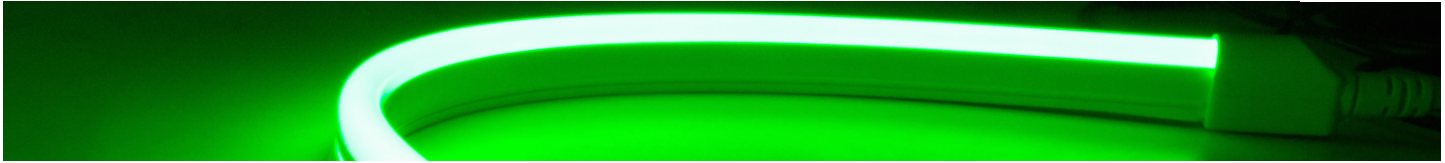




Item # _____
Project _____



		SE-NBL1	SE-NBL2	SE-NBL4
Voltage/Wattage		24V / 1.22W/ft.	24V / 2.44W/ft.	24V / 4.4W/ft.
Lumens¹	2700K	62 Lm/ft.	134 Lm/ft.	208 Lm/ft.
	3500K	60 Lm/ft.	120 Lm/ft.	195 Lm/ft.
	6300K	59 Lm/ft.	116 Lm/ft.	173 Lm/ft.
	Green	30 Lm/ft.	48 Lm/ft.	Coming Soon
	Blue	6 Lm/ft.	12 Lm/ft.	Coming Soon
	Purple	Coming Soon	Coming Soon	Coming Soon
	Pink	Coming Soon	Coming Soon	Coming Soon
	Red	11 Lm/ft.	21 Lm/ft.	Coming Soon
	Gold	Coming Soon	Coming Soon	Coming Soon
Max. Run²		65 feet	32 feet	16 feet
Cut Points		2 inch	2 inch	2 inch
CRI		80+		
Dimmable		Yes		
Field Cuttable		Yes		
Dimensions		0.75 x 0.37 in. (H x W) (Strip Only)		
Environment*		Outdoor / Wet Location / IP65		
Certification		UL Listed 2108		
Warranty		12-Year Warranty		

*WARNING: NOT FOR USE IN SUBMERSIBLE APPLICATIONS

SKU Builder

DI

-

24V

-

SE

Voltage

Chip Facing

Model

Color

Length

NBL1	27	GN	PK	16	<i>(NBL4 only)</i>
NBL2	35	BL	RD	32	<i>(NBL2 only)</i>
NBL4	63	PU	GL	65	<i>(NBL1 only)</i>

Example: DI-24V-SE-NBL2-RD-32 = Diode, 24 Volt, BLAZE™ NEON, Side emitting, 2.44w/ft, Red, 32.8 foot spool.

BLAZE™ NEON 24V LED Strip Light

SIDE EMITTING STRIP LIGHT SPECIFICATION SHEET

SPECIFICATIONS

- Input: 24VDC Constant Voltage
- Material: UV/IR resistant silicone
- Mounting (sold separately): Bottom U-Clip, Top U-Clip
- Connections: 96" leads: 22/2 AWG Wet Location Screw Connector
- Ambient Temp⁴: -4 - 122°F (-20 ~ 50°C)
- Operating Temp⁵: -4 - 176°F (-20 ~ 80°C)
- Flammability⁶: Flame retardant

COMPLIANCE & REGULATORY APPROVALS

Safety

- UL Listed 2108 Low Voltage Lighting Systems. Certified for United States and Canada. File # E469769.

Performance

- LED chip data measured in accordance to IES LM-80-08.
- Photometric & Colorimetry data measured in accordance to IES LM-79-08, in Elemental LED's Innovation Lab.

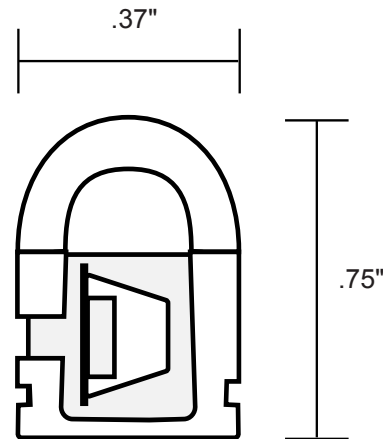
COMPATIBLE DRIVERS

Additional information on compatible Drivers can be found on page 4-6 or on the Diode LED web site at: www.DiodeLED.com.

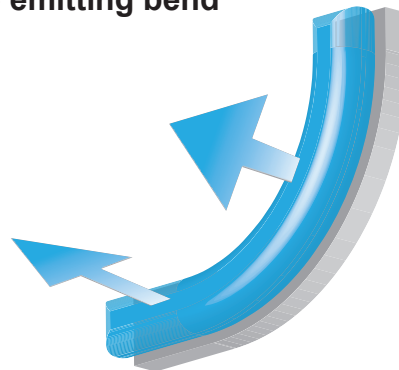
MECHANICAL DIAGRAMS

BLAZE™ NEON 24V LED Strip Light

Side emitting



Side emitting bend



1. Lumen value measured in accordance to IES LM-79. LED chips have a luminous flux range with a tolerance of +/- 5%.
2. Each maximum run requires a dedicated power feed from the driver. Do not extend beyond the recommended maximum run length.
3. Actual efficacy value is dependent on specified LED driver (power supply). An estimated efficacy value can be calculated as follows: Lumen value divided by average power consumption per foot.
4. Do not install product in an environment outside the listed ambient temperature. Exceeding the maximum ambient temperature may damage LED chips, reduce the total lamp life, lumen output, and/or adversely impact color consistency.
5. Operating temperature is measured according to the minimum and maximum ambient temperature environment.
6. This product has been tested and passed glow-wire flammability tests (GWFI index) at 650°C/1200°F, providing an extra level of safety for common areas, hospitality, and areas of high risk fire.

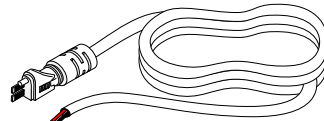
BLAZE™ NEON 24V LED Strip Light

SIDE EMITTING STRIP LIGHT SPECIFICATION SHEET

ADDITIONAL ACCESSORIES

Accessories listed below are fully compatible with our BLAZE NEON™ 24V LED Strip Light product line. Further information on these products and more accessories can be found in our latest catalog or online at www.DiodeLED.com.

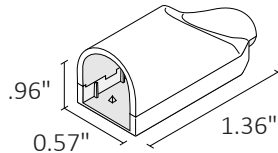
BLAZE™ NEON Side emitting
Straight wire entry connector
DI-SE-NB-STWC-EC



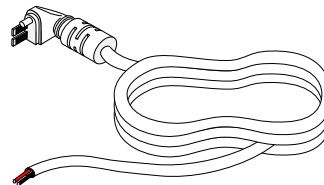
Length: 96"

BLAZE™ NEON Side emitting
Straight wire entry connector cover

(Included with straight wire entry connector)



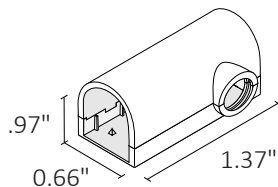
BLAZE™ NEON Side emitting
Side wire entry connector
DI-SE-NB-SDWC-EC



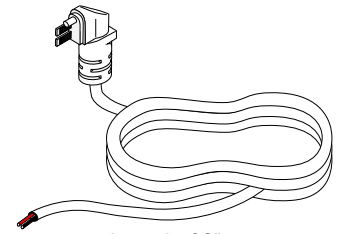
Length: 96"

BLAZE™ NEON Side emitting
Side wire entry connector cover

(Included with side wire entry connector)



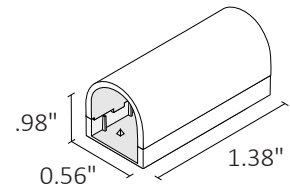
BLAZE™ NEON Side emitting
Bottom wire entry connector
DI-SE-NB-BWC-EC



Length: 96"

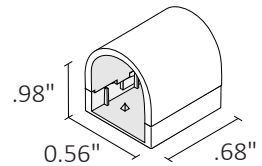
BLAZE™ NEON Side emitting
Bottom wire entry connector cover

(Included with bottom wire entry connector)

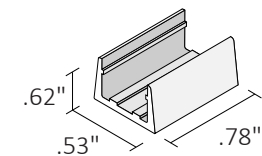


BLAZE™ NEON Side emitting
End Cap

(Included with all Connectors)



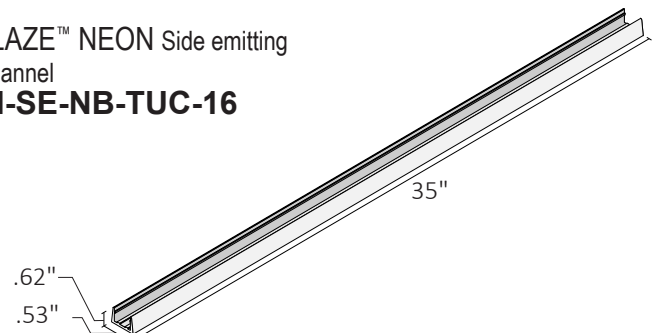
BLAZE™ NEON Side emitting
Bottom U-Clip
DI-SE-NB-BUC-16



BLAZE™ NEON Side emitting
Top U-Clip
DI-SE-NB-TUC-16



BLAZE™ NEON Side emitting
Channel
DI-SE-NB-TUC-16



BLAZE™ NEON 24V LED Strip Light

SIDE EMITTING STRIP LIGHT SPECIFICATION SHEET

LED DRIVERS (Required)

The following Listed LED Drivers are recommended for compatibility and to meet NEC code when installed according to specifications. For additional LED Driver options see Diode LED's product page at: <https://www.diodeled.com/products/led-power-supplies.html>

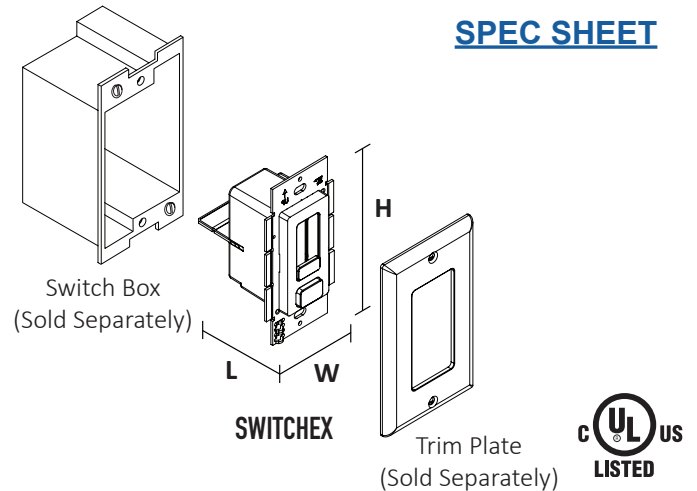
SWITCHEX® DRIVER + DIMMER SWITCH

SWITCHEX combines an LED driver and LED dimmer switch into a single integrated unit. Fits into standard switch boxes.



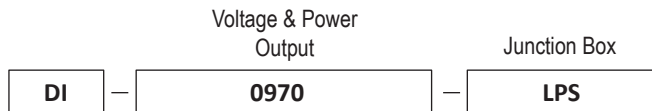
SKU	L - LENGTH	W - WIDTH	H - HEIGHT
DI-24V-SE-60W	1.40 in.	2.10 in.	4.10 in.
DI-24V-SE-100W	1.40 in.	2.10 in.	4.10 in.

Fits in Standard Switch Box

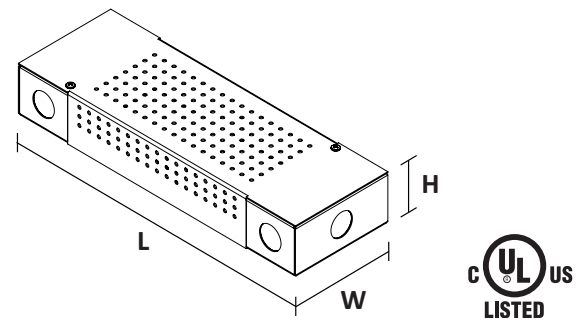


LO-PRO® JUNCTION BOX & DRIVER COMBO - 24V CONSTANT VOLTAGE LED DRIVER

Use Constant Voltage Drivers to power your lighting system. Compatible with Standard 120VAC On/Off Switches, REIGN® Low Voltage Dimmers, TOUCHDIAL™ Control System, DMX Decoders, and PWM Controls.

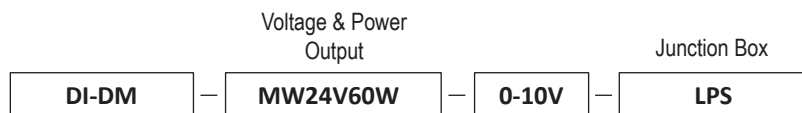


SKU	L - LENGTH	W - WIDTH	H - HEIGHT
DI-0970-LPS	11.25 in.	3.75 in.	1.90 in.
DI-CV-MW24V60W-277-LPS	11.25 in.	3.75 in.	1.90 in.
DI-CV-MW24V90W-277-LPS	11.25 in.	3.75 in.	1.90 in.
DI-0954-LPL	13.5 in.	4.5 in.	2.37 in.

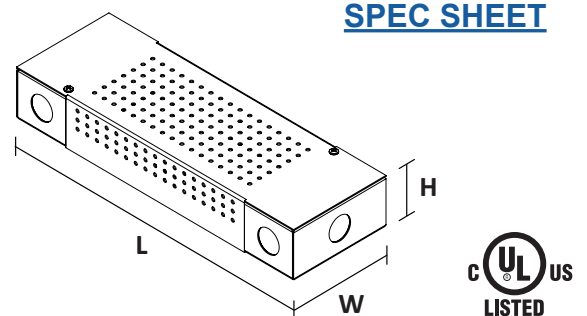


LO-PRO® JUNCTION BOX & DRIVER COMBO - 24V COMMERCIAL GRADE 0-10V LED DIMMABLE DRIVER

Compatible with 0-10V controls and dimming systems.



SKU	L - LENGTH	W - WIDTH	H - HEIGHT
DI-DM-MW-24V60W-0-10V-LPS	11.25 in.	3.75 in.	1.90 in.
DI-DM-MW-24V90W-0-10V-LPL	13.5 in.	4.5 in.	2.37 in.



BLAZE™ NEON 24V LED Strip Light

SIDE EMITTING STRIP LIGHT SPECIFICATION SHEET

LED DRIVERS Cont. (Required)

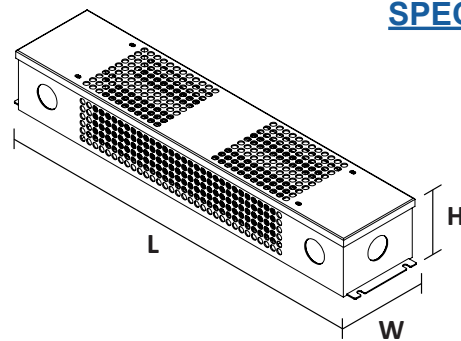
The following Listed LED Drivers are recommended for compatibility and to meet NEC code when installed according to specifications. For additional LED Driver options see Diode LED's product page at: <https://www.diodeled.com/products/led-power-supplies.html>

OMNIDRIVE® 2 ELECTRONIC DIMMABLE LED DRIVER

OMNIDRIVE 2 features a zero minimum load and 100-5% dimming range. Compatible with Forward Phase and Reverse Phase Dimmers. Please see Diode LED's Compatibility List at: <https://www.diodeled.com/custom/download/productFile/fileName/DI-OD2-Compatibility%20List.pdf/>



SKU	L - LENGTH	W - WIDTH	H - HEIGHT
DI-OD2-24V24W	13.75 in.	3.00 in.	1.60 in.
DI-OD2-24V60W	13.75 in.	3.00 in.	1.60 in.
DI-OD2-24V96W	15.00 in.	3.10 in.	2.40 in.
DI-OD2-24V120W	15.00 in.	3.10 in.	2.40 in.
DI-OD2-24V200W	16.10 in.	3.40 in.	2.40 in.

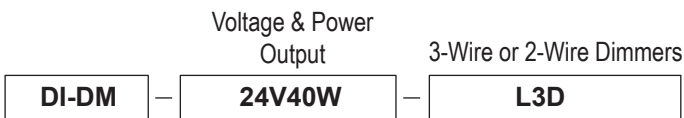


[SPEC SHEET](#)

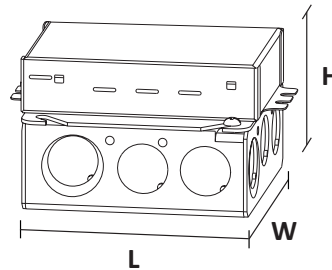


LUTRON® Hi-lume 1% LED DIMMABLE DRIVER

Hi-lume 1% LED Driver has a minimum load of 5W and dims from 100-1%.



SKU	L - LENGTH	W - WIDTH	H - HEIGHT
DI-DM-24V40W-L3D	4.89 in.	4.00 in.	2.62 in.
DI-DM-24V40W-LTE			



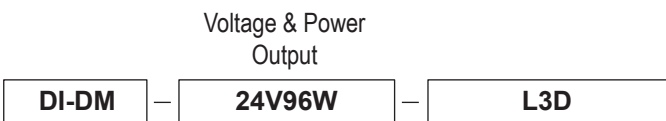
[L3D SPEC SHEET](#)

[LTE SPEC SHEET](#)

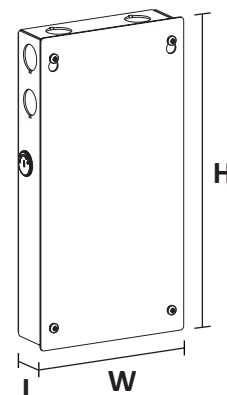


LUTRON® Hi-lume Premier 0.1% LED DIMMABLE DRIVER

Hi-Lume Premier 0.1% LED Driver has a minimum load of 5W and dims from 100-0.1%.



SKU	L - LENGTH	W - WIDTH	H - HEIGHT
DI-DM-24V96W-L3D	5.50 in.	2.20 in.	10.50 in.



[SPEC SHEET](#)



BLAZE™ NEON 24V LED Strip Light

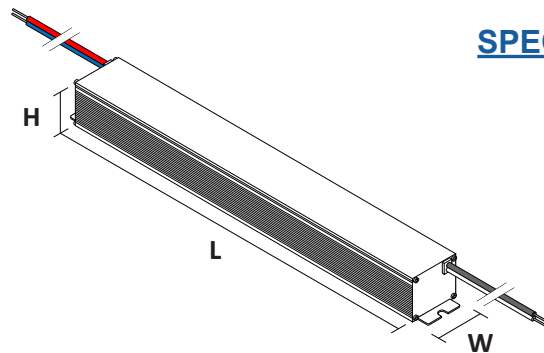
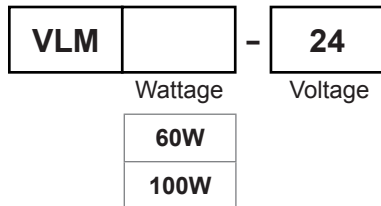
SIDE EMITTING STRIP LIGHT SPECIFICATION SHEET

LED DRIVERS (Required)

The following Listed LED Drivers are recommended to meet NEC code when installed according to specifications. For additional LED Driver options see Diode LED's product page at: <https://www.diodeled.com/products/led-power-supplies.html>

VLM SERIES CONSTANT VOLTAGE DRIVER

Use Constant Voltage Drivers to power your low voltage tape light. Compatible with Standard 120VAC On/Off Switches, REIGN® 12-24V Low Voltage Dimmers, TOUCHDIAL™ Control System, DMX Decoders, and PWM Controls.



[SPEC SHEET](#)

SKU	L - LENGTH	W - WIDTH	H - HEIGHT
VLM60W-24	5.1 in.	.75 in.	.77 in.
VLM100W-24	5.38 in.	1 in.	.77 in.



BLAZE™ NEON 24V LED Strip Light

SIDE EMITTING STRIP LIGHT SPECIFICATION SHEET

ADDITIONAL INFORMATION

- BLAZE™ NEON 24V LED STRIP LIGHT Installation Guide

SAFETY / WARNINGS / DISCLOSURES

1. Install in accordance with national and local electrical code regulations.
2. This product is intended to be installed and serviced by a qualified, licensed electrician.
3. Only install with a listed Class 2 DC LED Driver.
4. Not for use in or on walls of pools, fountains, or other partially or fully submersed locations.
5. Do not modify or disassemble product beyond instructions or this warranty will be void.
6. Actual color may vary from what is pictured above and on other print materials due to the limitations of photographic processes.
7. We reserve the right to modify and improve the design of our fixtures without prior notice. We cannot guarantee to match existing installed fixtures for subsequent orders or replacements in regards to product appearance, CCT, or lumen output.

WARRANTY

Limited Warranty

This product has a twelve (12) year limited warranty from the date of shipment. This warranty does not include the additional accessories referenced in this specification sheet. Complete warranty details for fixtures and additional accessories are available at www.diodeled.com/limited-warranty/ within the Policies section. For warranty related questions please contact product support.

Consumer's Acknowledgment

Elemental LED, Inc. stands behind its products when they are used properly and according to our specifications. By purchasing our products, the purchaser agrees and acknowledges that lighting design, configuration and installation is a complex process, wherein seemingly minor factors or changes in layout and infield adjustments can have a significant impact on an entire system. Choosing the correct components is essential. Elemental LED is able to work with the original purchaser to make an appropriate product selection to the extent of the limited information that the customer can provide, but it is virtually impossible for Elemental LED to design a system that foresees every unknown factor. For this reason, this Warranty does not cover problems caused by improper design, configuration or installation issues. Any statement from an Elemental LED employee or agent regarding a customer's bill of goods and/or purchase order is NOT an acknowledgment that the products purchased are designed and configured correctly. The purchaser agrees and acknowledges that it is the customer's responsibility to adhere strictly to all information contained in the Product Specification Sheets.

There is often more than one way to design, configure and layout an LED lighting application properly to achieve the same lighting effect. Elemental LED strongly recommends that licensed professionals be used in the design and installation of lighting systems that include Elemental LED products. The specifications include important information that a designer and installer should carefully review and strictly follow. Qualified designers and certified and/or licensed installers, with access to the final installation environment, customer goals, and Elemental LED product specifications can make the requisite decisions appropriate for a successful finished lighting application.



© 2017 Elemental LED, Inc. All rights reserved.
Specifications are subject to change without notice.

Toll Free: 877.817.6028 | Fax: 415.592.1596 | www.DiodeLED.com | info@DiodeLED.com